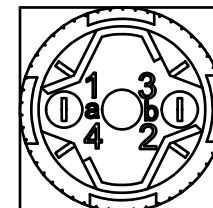
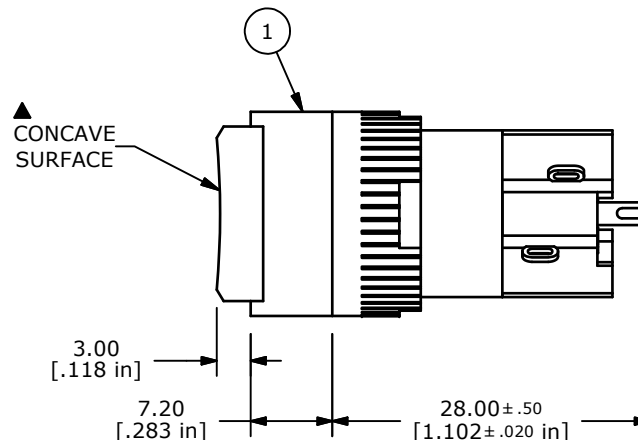
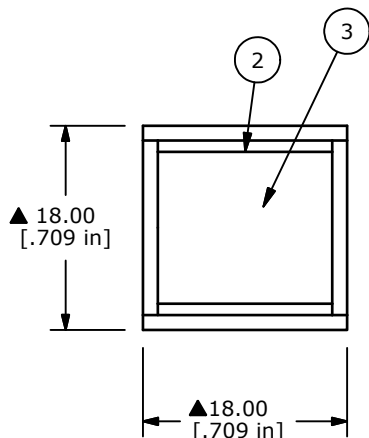
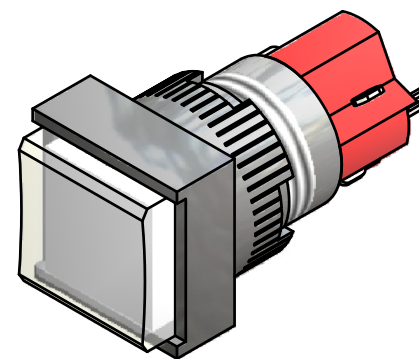
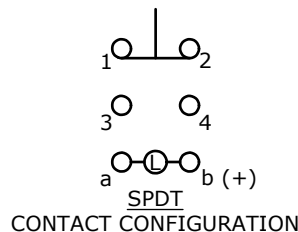


RECOMMENDED PANEL MOUNTING



- NOTE:
1. ALL DIMENSIONS IN MM [INCH].
  2. GENERAL TOLERANCE: X.X=±0.4  
X.XX=±0.25
  3. TERMINAL NUMBERS FOR REF ONLY.
  - ▲ 4. CONTACT RATING: 5A @ 250VAC,  
8A @ 125VAC,  
6A @ 24VDC
  5. ELECTRICAL LIFE: 50,000 OPERATIONS
  6. INSULATION RESISTANCE: 1,000 MEGA-OHM MIN.
  - ▲ 7. CONTACT MATERIAL: SILVER PLATED COPPER ALLOY
  8. ACTUATION FORCE: 300g / POLE
  9. OPERATING TEMP.: -25°C to +55°C
  10. ▲ DENOTES CRITICAL PARAMETER.
  11. 2002/95/EC (ROHS) COMPLIANT

PARTS LIST

ITEM	QTY	PART NUMBER	DESCRIPTION
1	1	F040008	D16OAS11
2	1	F050305	5000305 TRANSPARENT GREEN LENS
3	1	F050405	5000405 LAMP INCANDESCENT 28V AC/DC 40mA



TITLE D16OAS11CWHT

B	19759	DRAWING CLEAN UP / UPDATE	3/16/11	BGL
REV	PCR NO	DESCRIPTION	DATE	BY

SCALE	DATE	DR	DWG	REV
1.5:1	3/16/2011	BGL	XF0104P	B

THE INFORMATION CONTAINED IN THIS DOCUMENT IS PROPRIETARY TO E-SWITCH AND IS NOT TO BE COPIED OR TRANSFERRED